

INSTALL GUIDE

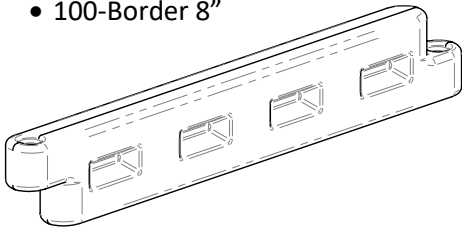
SAFETY

- Check to ensure that plans will meet local codes and guidelines
- Do not install on concrete, asphalt, or other hard surfaces
- Space equipment to ensure proper traffic flow and safe usage

KIT CONTENTS

Sandbox Components

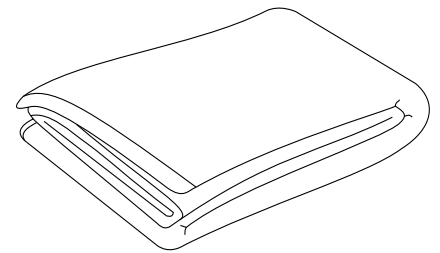
- 100-Border 8"



- 100-Spike 8"



- Sandbox Cover



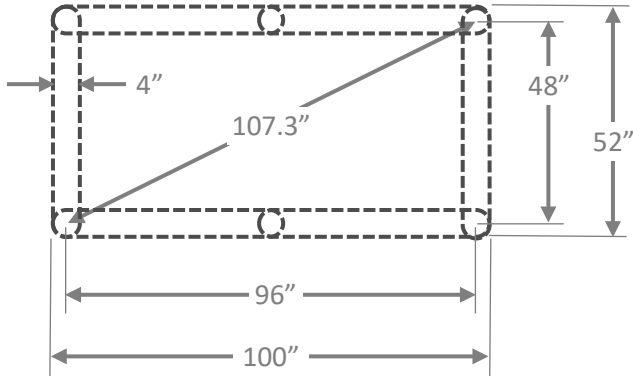
Items and Quantities

	APS-Sandbox 4'x8'	APS-Sandbox 8'x8'	APS-Sandbox 12'x12'
100-Border 8"	6 pcs.	8 pcs.	12 pcs.
100-Spike 8"	6 pcs.	8 pcs.	12 pcs.
Cover	300-4x8sandboxcover 1 pc.	300-8x8sandboxcover 1 pc.	300-12x12sandboxcover 1 pc.
Sand amount recommended (not included)	16 yds.	29 yds.	64 yds.

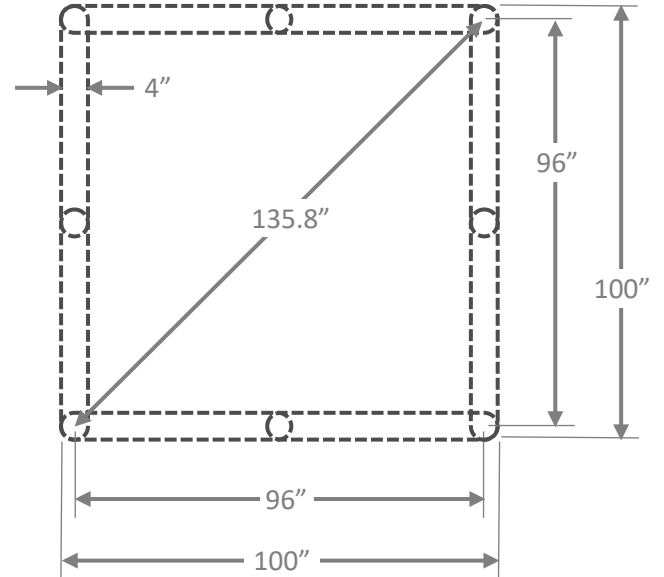
INSTALL GUIDE

DIMENSIONS

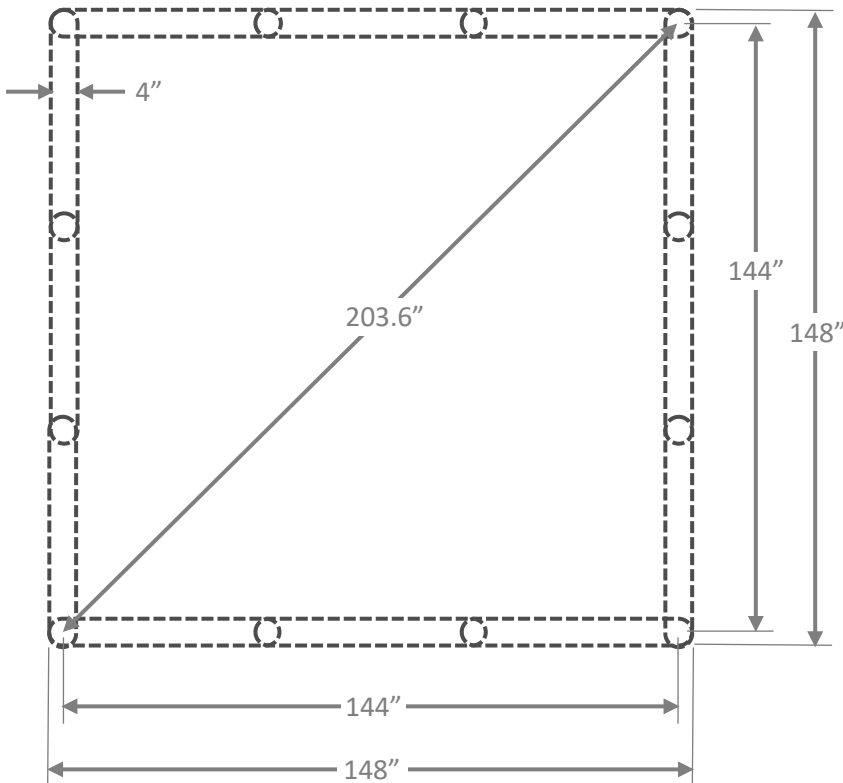
- 4' x 8'



- 8' x 8'



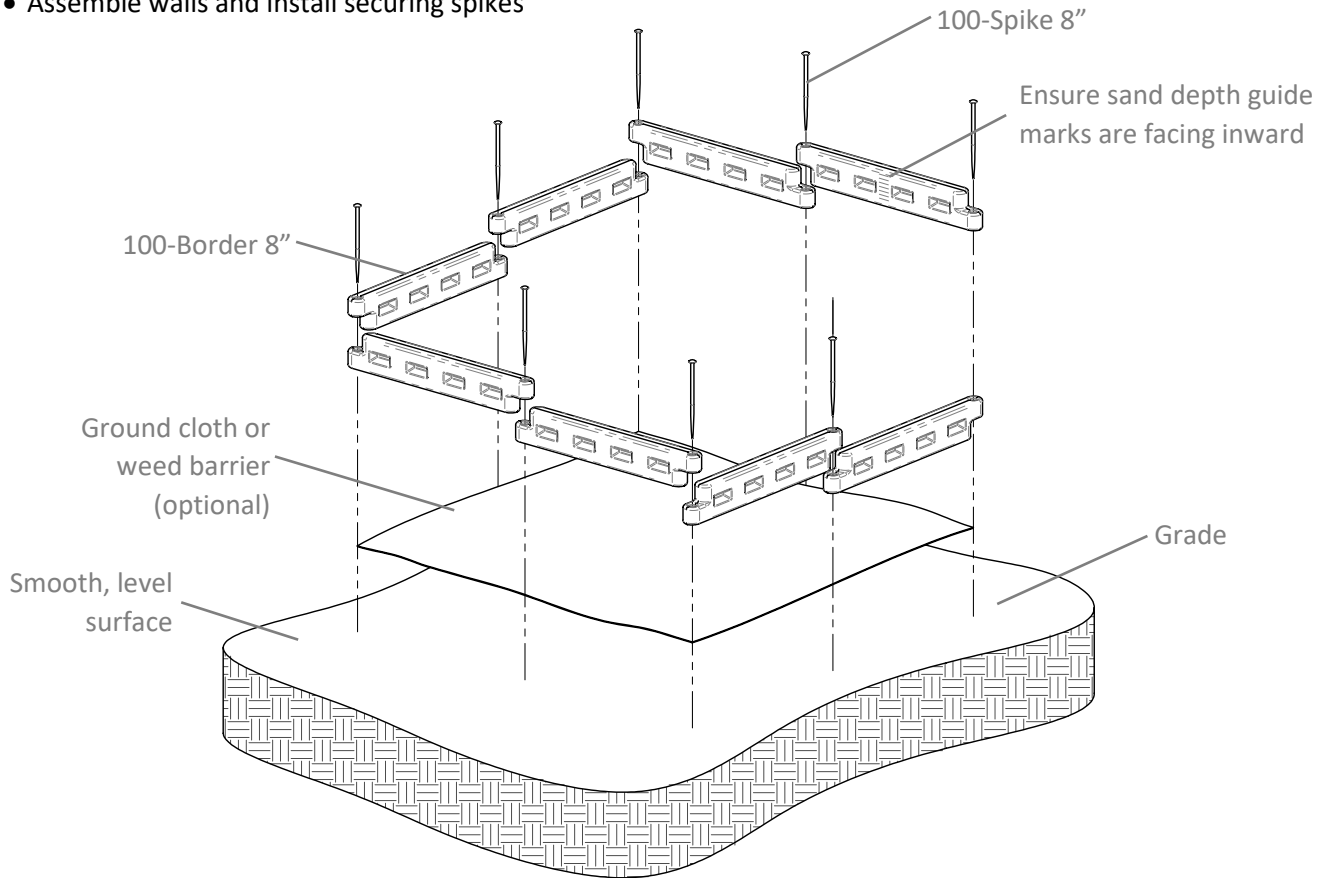
- 12' x 12'



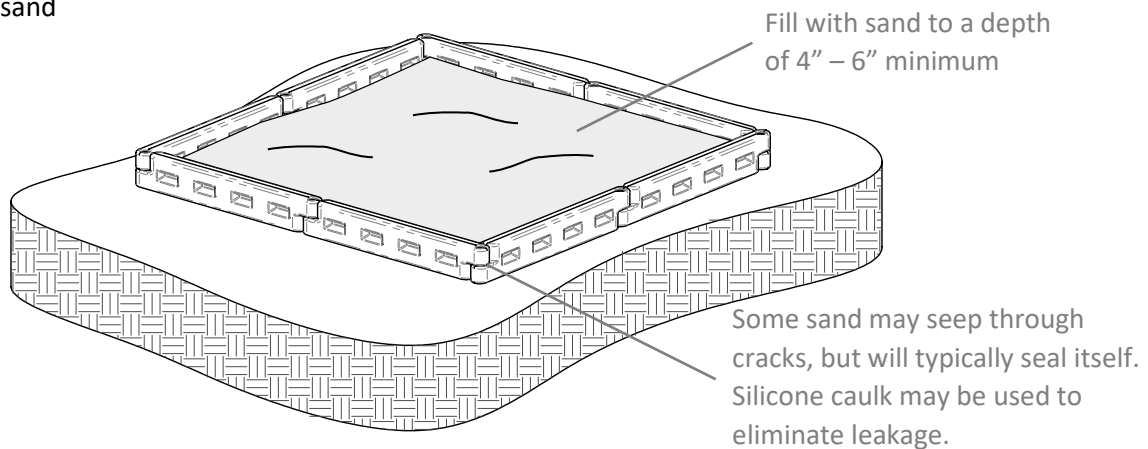
INSTALL GUIDE

INSTALLATION

- Assemble walls and install securing spikes

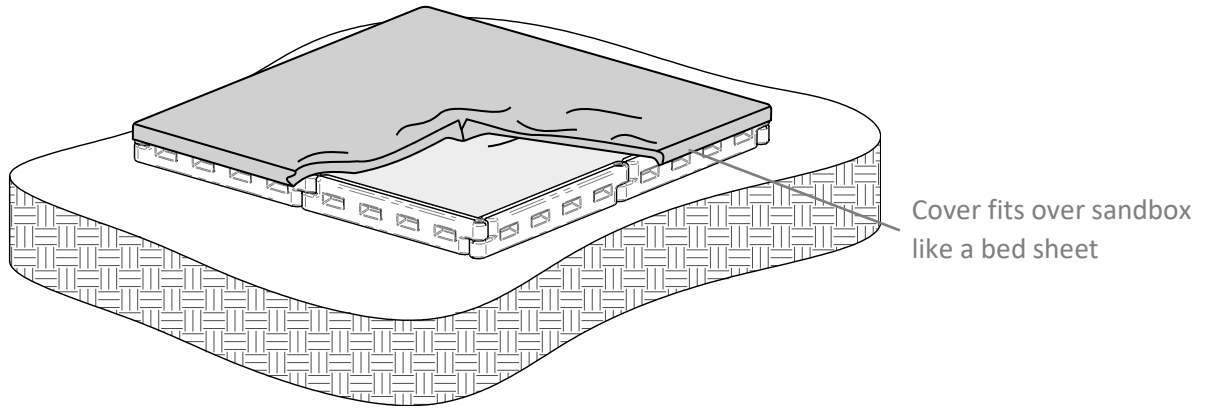


- Fill with sand



INSTALL GUIDE

- Install cover



- Always secure cover when not in use.

